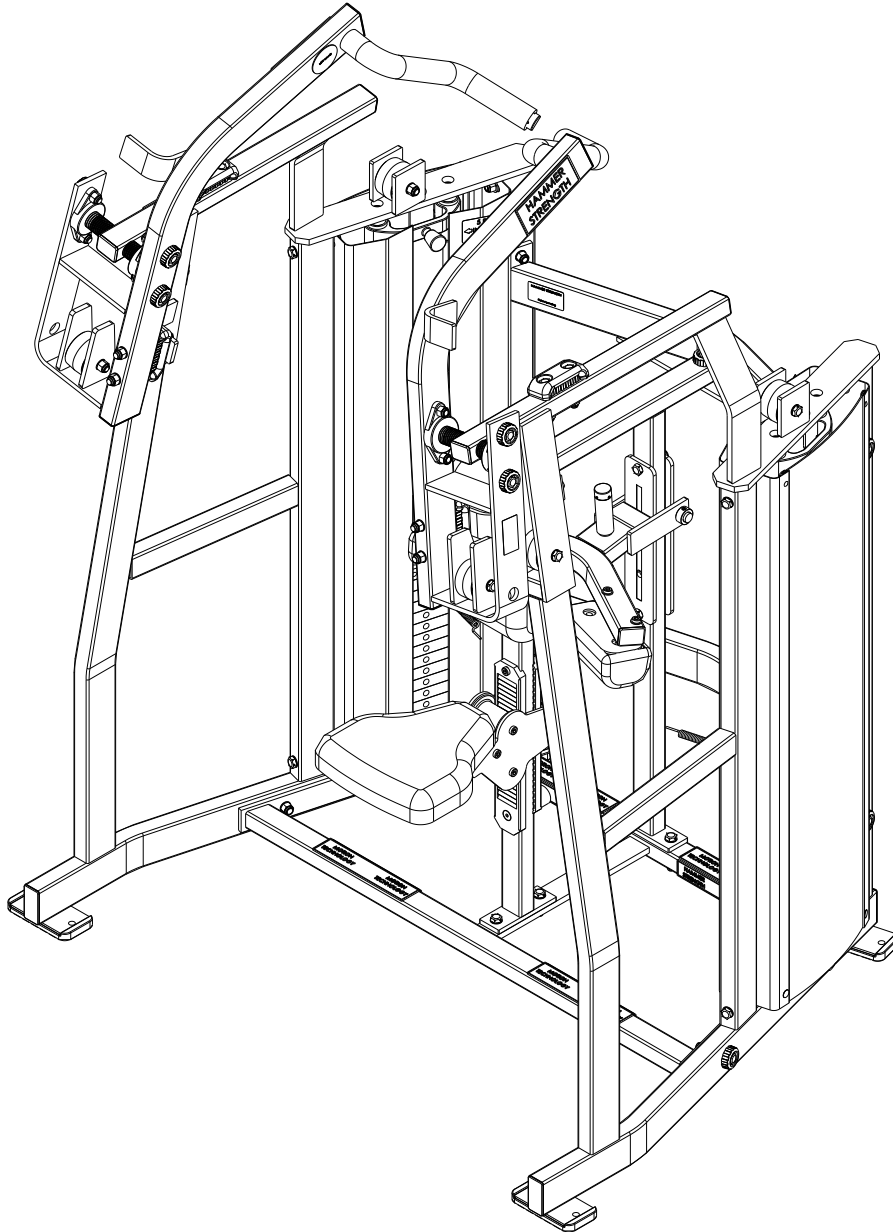




HAMMER STRENGTH
MTSFP
FRONT PULL DOWN



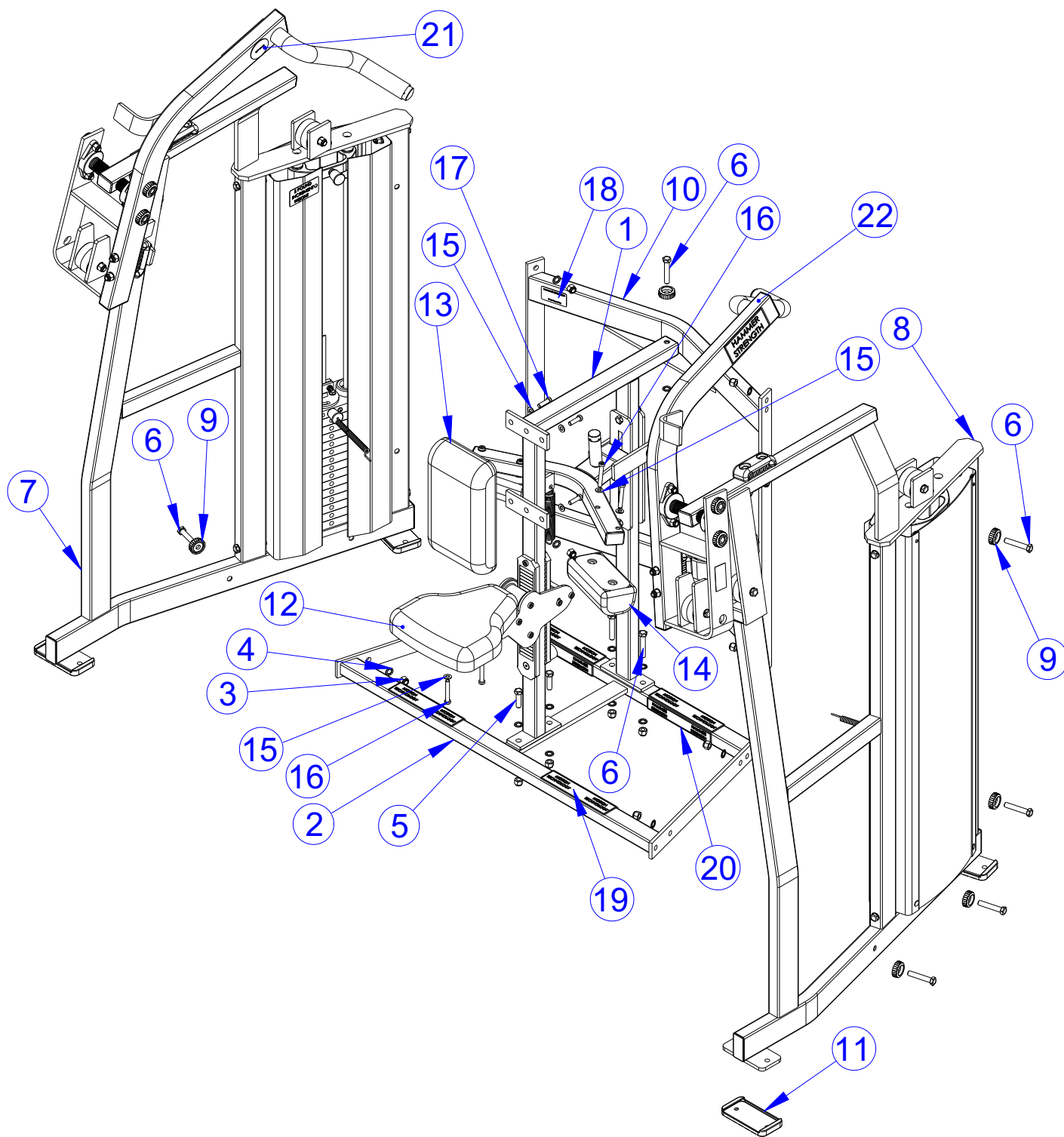
Customer Support Services
PARTS LIST

MTSFP FRONT PULL DOWN

Contents

COMPONANT ASSEMBLY	pg.3
COMPONANT ASSEMBLY LEGEND	4
RIGHT SIDE FRAME ASSEMBLY	5
RIGHT SIDE FRAME ASSEMBLY II	6
RIGHT SIDE FRAME ASSEMBLY LEGEND	7
RIGHT WORK ARM ASSEMBLY	8
SEAT AND THIGH ASSEMBLY	9
SEAT AND THIGH ASSEMBLY LEGEND	10
83° SEAT ASSEMBLY	11
LEFT SIDE FRAME ASSEMBLY	12
LEFT SIDE FRAME ASSEMBLY LEGEND	13
LEFT WORK ARM ASSEMBLY	14
150 LB. WEIGHT STACK ASSEMBLY	15
INCREMENT WEIGHT ASSEMBLY	16
IMAGE	17

MTSFP FRONT PULL DOWN COMPONENT ASSEMBLY

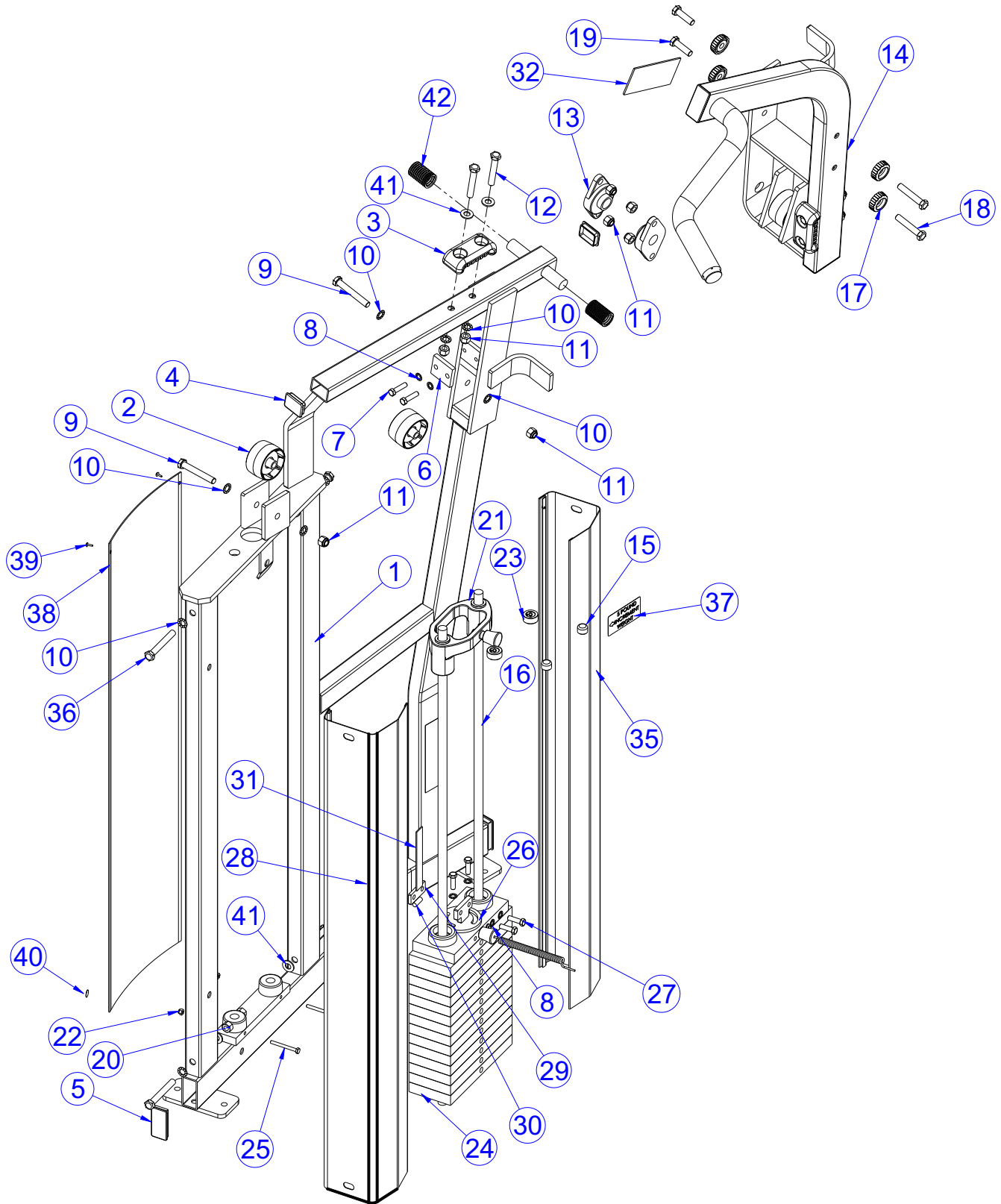


SEE PAGE 4 FOR LEGEND

MTSFP FRONT PULL DOWN COMPONENT ASSEMBLY LEGEND

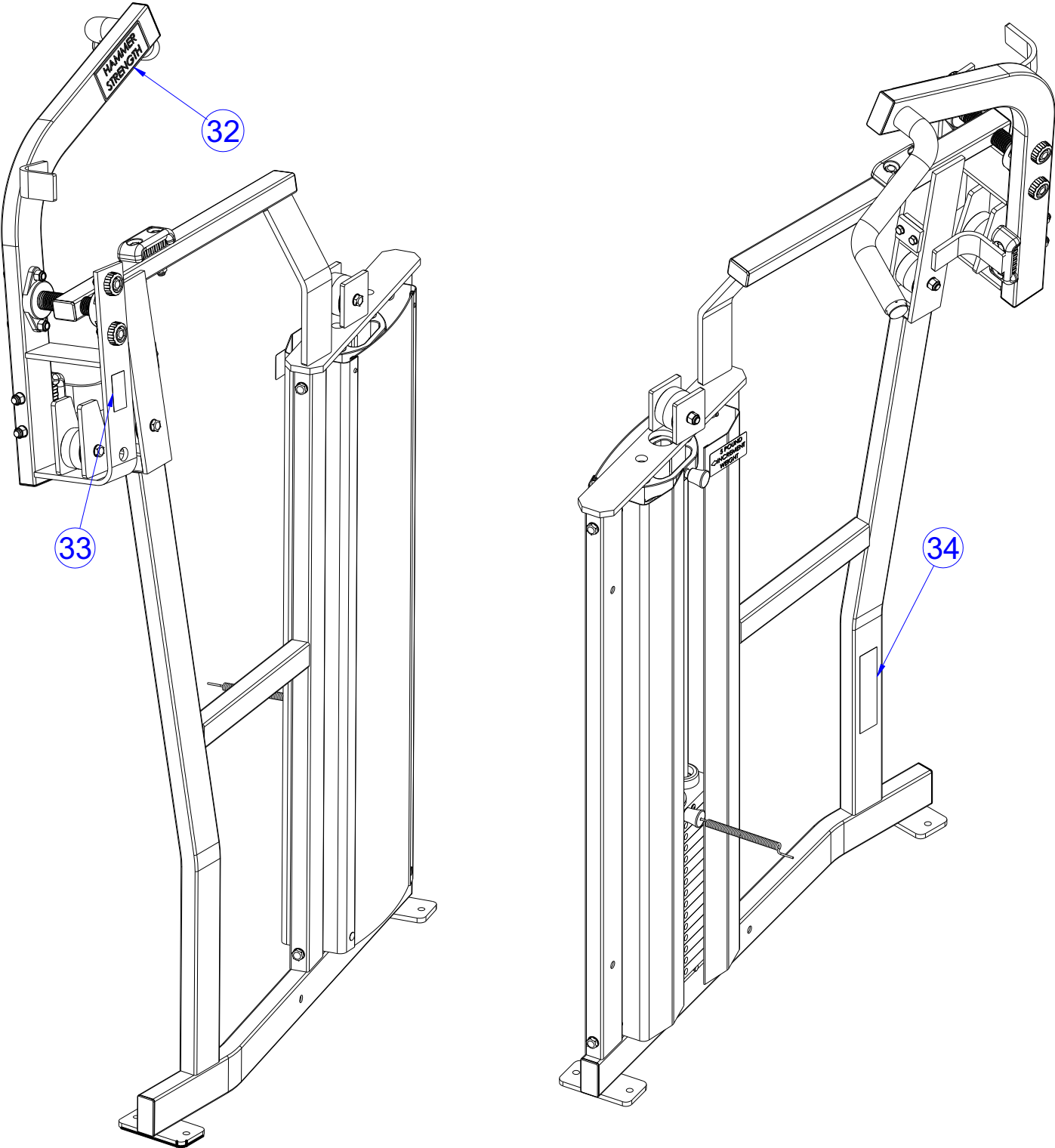
ITEM NO.	QTY.	PART NO.	DESCRIPTION
1	1	7471101	ASSY, MTFP, SEAT AND THIGH
2	1	7462801	WLDMT, MTFP, BOTTOM FRAME
3	13	3102801	NUT, NYLOCK 1/2-13 ST ZN
4	17	3239505	WSH, .500 IN-D ST ZN
5	2	3239307	1/2-13 X 1.75 UNS HEX FHB G5 ZN
6	11	3239311	1/2-13 X 2.75 UNS HEX FHB G5 ZN
7	1	7464901	ASSY, MTFP, LEFT SIDE
8	1	7464601	ASSY, MTFP, RIGHT SIDE
9	9	7434001	WASHER, MTS, HAMMER HEAD
10	1	7463301	WLDMT, MTFP, FRONT FRAME
11	4	MM-9	3 X 6 FLANGE RUBBER SLIPPER
12	1	7351901	PAD, SADDLE
13	1	7501001	PAD, 15 X 7-3/4
14	2	7501301	PAD, 8 X 4
15	10	3236601	WASHER, 3/8 SAE SS
16	6	3236210	SCREW, M10 X1.5 65MM
17	4	3236204	SCREW, M10 X1.5 35MM
18	1	M051-00299-A000	HAMMER PATENT DECAL
19	4	0017-00042-1045	1.875 X 9.25 FRAME GUARD
20	4	0017-00042-1044	1.375 X 9.25 FRAME GUARD
21	1	M051-00333-A000	HAND PLACEMENT DECAL (LEFT)
22	1	M051-00334-A000	HAND PLACEMENT DECAL (RIGHT)

MTSFP FRONT PULL DOWN RIGHT SIDE FRAME ASSEMBLY



SEE PAGE 7 FOR LEGEND

MTSFP FRONT PULL DOWN RIGHT SIDE FRAME ASSEMBLY II

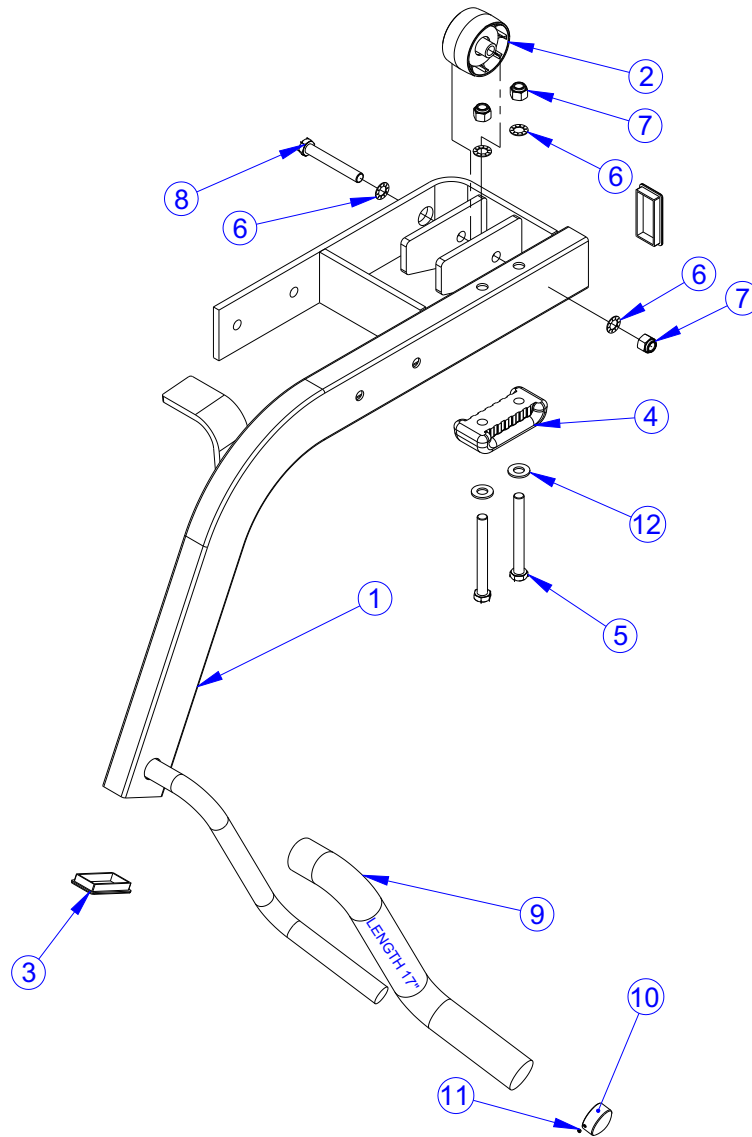


SEE PAGE 7 FOR LEGEND

MTSFP FRONT PULL DOWN RIGHT SIDE FRAME ASSEMBLY LEGEND

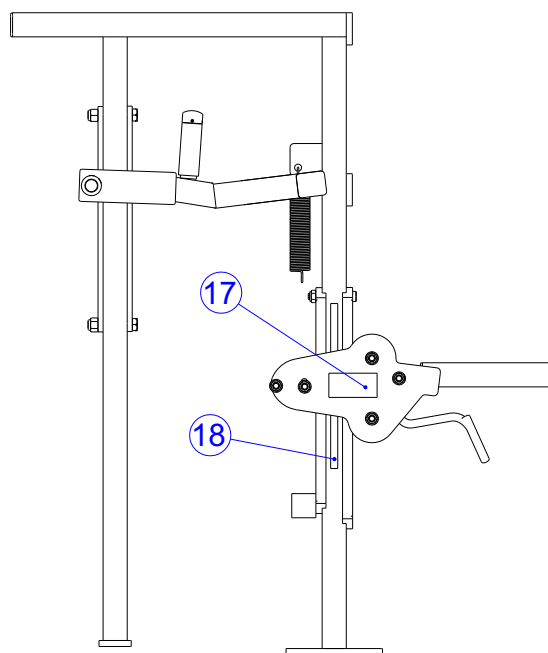
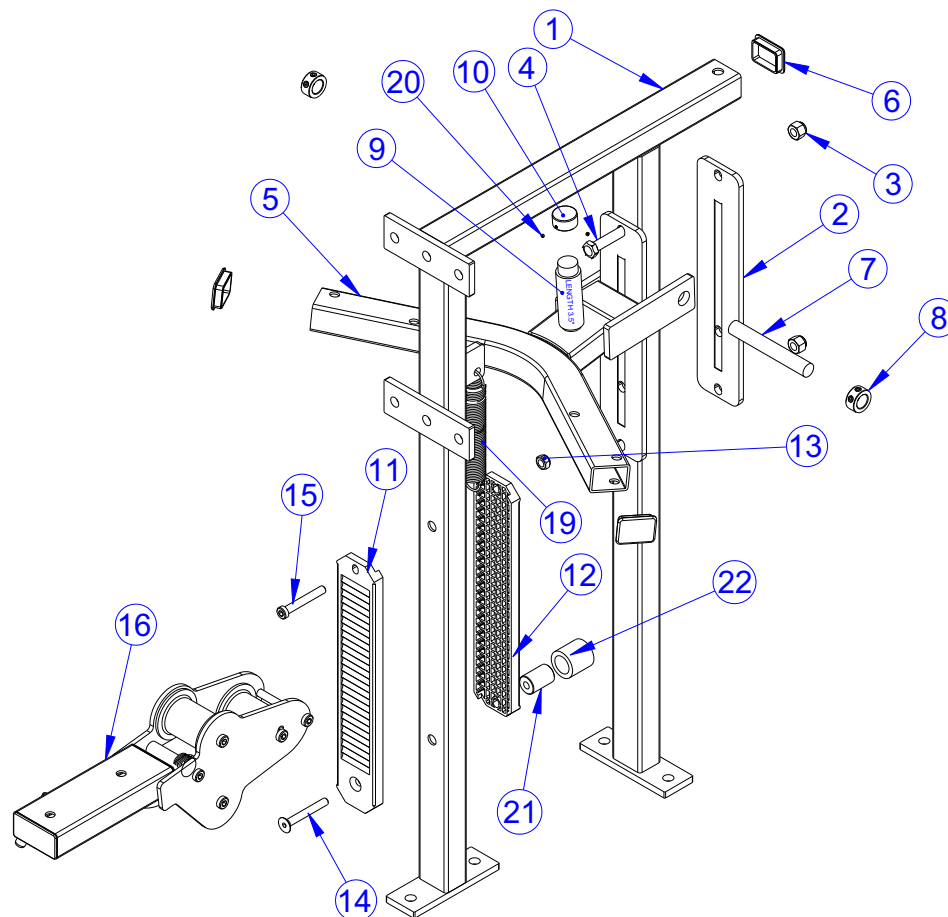
ITEM NO.	QTY.	PART NO.	DESCRIPTION
1	1	7461001	WLDMT, MTFP, RIGHT FRAME
2	2	7594601	PULLEY, MTS, 3" BELT
3	1	7352001	BUMPER, 2-1/8 X 4-5/8
4	2	7352201	CAP, END 1-1/2 X 2
5	2	1002974-0001	CAP. END, 1-1/2 X 3, 11 GA SGRY
6	1	7465095	PLATE, MTS, BELT ATTACH
7	2	3223302	3/8-16 X 1.25 HEX HEAD BOLT
8	6	3239503	WSH, .375 IN-D ST ZN
9	2	3239314	1/2-13 X 3.50 UNS HEX FHB G5 ZN
10	10	3239505	WSH, .500 IN-D ST ZN
11	12	3102801	NUT, NYLOCK 1/2-13 ST ZN
12	2	3239312	1/2-13 X 3.00 UNS HEX FHB G5 ZN
13	2	3239901	BEARING, 2 HOLE FLANGE, 1" ID
14	1	7471501	ASSY, MTFP, R MOVE ARM
15	2	3242701	CAP, END, .75 X .50. RD, BLACK
16	2	7328601	GUIDE ROD, .75 OD SOLID 48.38
17	4	7434001	WASHER, MTS, HAMMER HEAD
18	2	3239311	1/2-13 X 2.75 UNS HEX FHB G5 ZN
19	2	3239307	1/2-13 X 1.75 UNS HEX FHB G5 ZN
20	2	7352101	CUSHION, WEIGHT STACK
21	1	8046901	ASSY, MTS, INCREMENT WEIGHT
22	2	3102806	NUT, NYLOCK 1/4-20 ZN
23	2	3103301	SHAFT COLLAR, 3/4 I.D. ZINC
24	1	7464701	ASSY, MTS, 150 LB STACK
25	2	3223809	1/4-20 UNS HEX FHB G5 ZN
26	1	7434895	WLDMT, MTS, BELT ATTACH
27	4	3223302	3/8-16 X 1.25 HEX HEAD BOLT
28	2	3102807	NUT, NYLOCK 3/8-16 LOW HT
29	1	7435295	PLATE, MTS, BELT CLAMP
30	1	7435101	SHAFT, 3/8" DIA SS, BELT WRAP
31	1	7435701	BELT, SPOOLED, W 15/16, T.09
32	1	M051-00289-A000	HAMMER STRENGTH NAME PLATE
33	1	7422003	LABEL, MOVING PARTS
34	1	7422004	LABEL, 2" ASTM WARN
35	2	7465102	SHROUD, MTS, SIDE 47.75" SGRY
36	4	3239315	1/2-13 X 3.75 UNS HEX FHB G5 ZN
37	1	M051-00298-A000	INCREMENT WT. DECAL (LEFT)
38	1	7435602	PANEL, MTS, PLASTIC 47.75"
39	2	0017-00101-1587	SHIELD RIVET
40	2	7564101	LABEL, MTS, .625 DIA HOLE COVER
41	6	3102507	WASHER, TYPE A PLAIN
42	2	6912804	SLEEVE, ACCRDN 1.0 ID X 2

MTSFP FRONT PULL DOWN RIGHT WORK ARM ASSEMBLY



ITEM NO.	QTY.	PART NO.	DESCRIPTION
1	1	7460301	WLDMT, MTFP, R MOVEMENT ARM
2	1	7594601	PULLEY, MTS, 3" BELT
3	2	1002974-0001	CAP. END, 1-1/2 X 3, 11GA SGRY
4	1	7352001	BUMPER, 2-1/8 X 4-5/8
5	2	3239318	1/2-13 X 4.50 UNS HEX FHB G5 ZN
6	4	3239505	WSH, .500 IN-D ST ZN
7	3	3102801	NUT, NYLOCK 1/2-13 ST ZN
8	1	3239314	1/2-13 X 3.50 UNS HEX FHB G5 ZN
9	1	3235801	GRIP, SHADOW GRAY, 18.25"
10	1	7662902	CAP, GRIP 1.50 OD
11	2	3247701	M4 X .7 HXS NO CUP ST BO
12	2	3102507	WASHER, TYPE A PLAIN

MTSFP FRONT PULL DOWN SEAT AND THIGH ASSEMBLY - 7471101

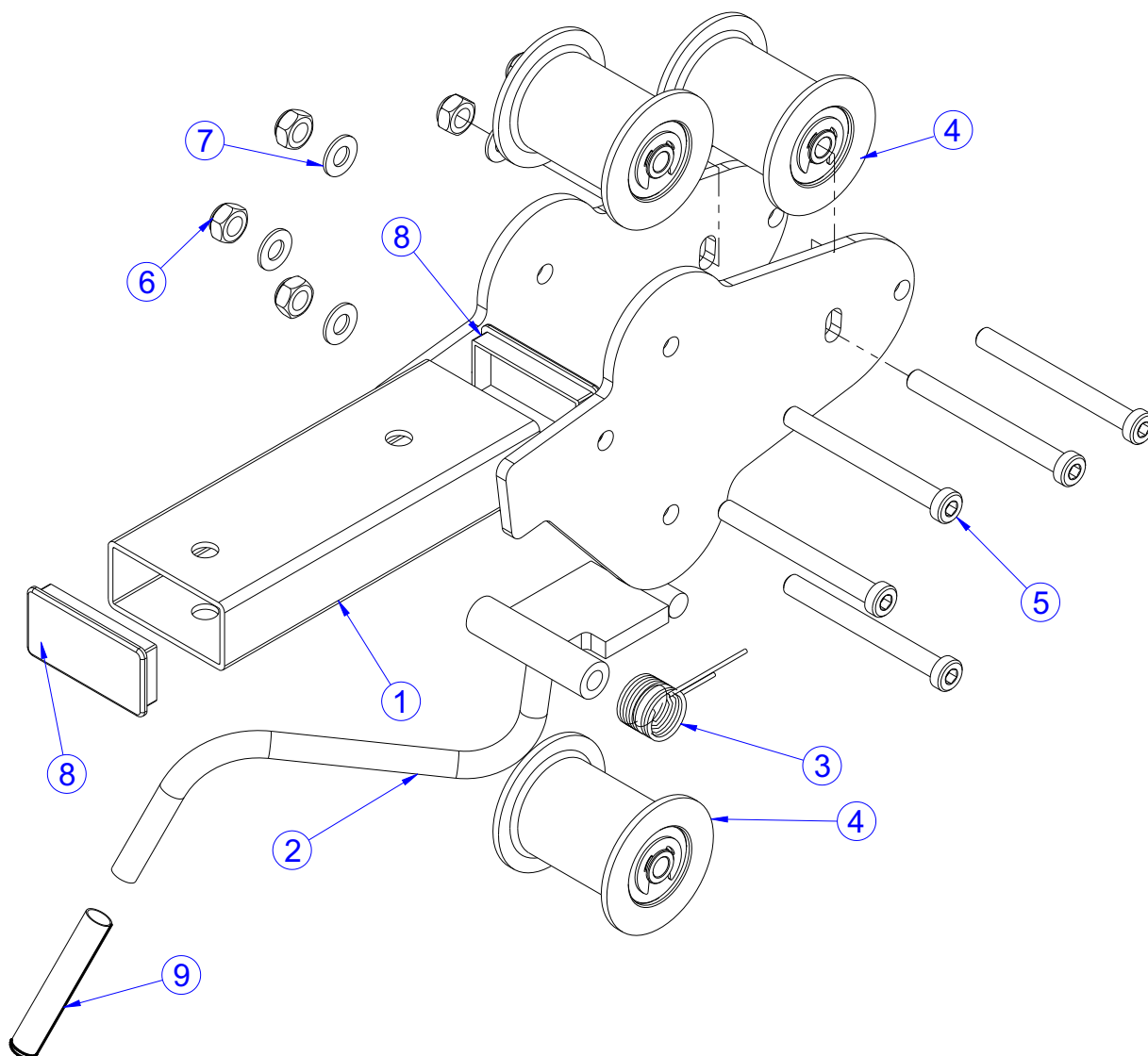


SEE PAGE 10 FOR LEGEND

MTSFP FRONT PULL DOWN SEAT AND THIGH ASSEMBLY LEGEND

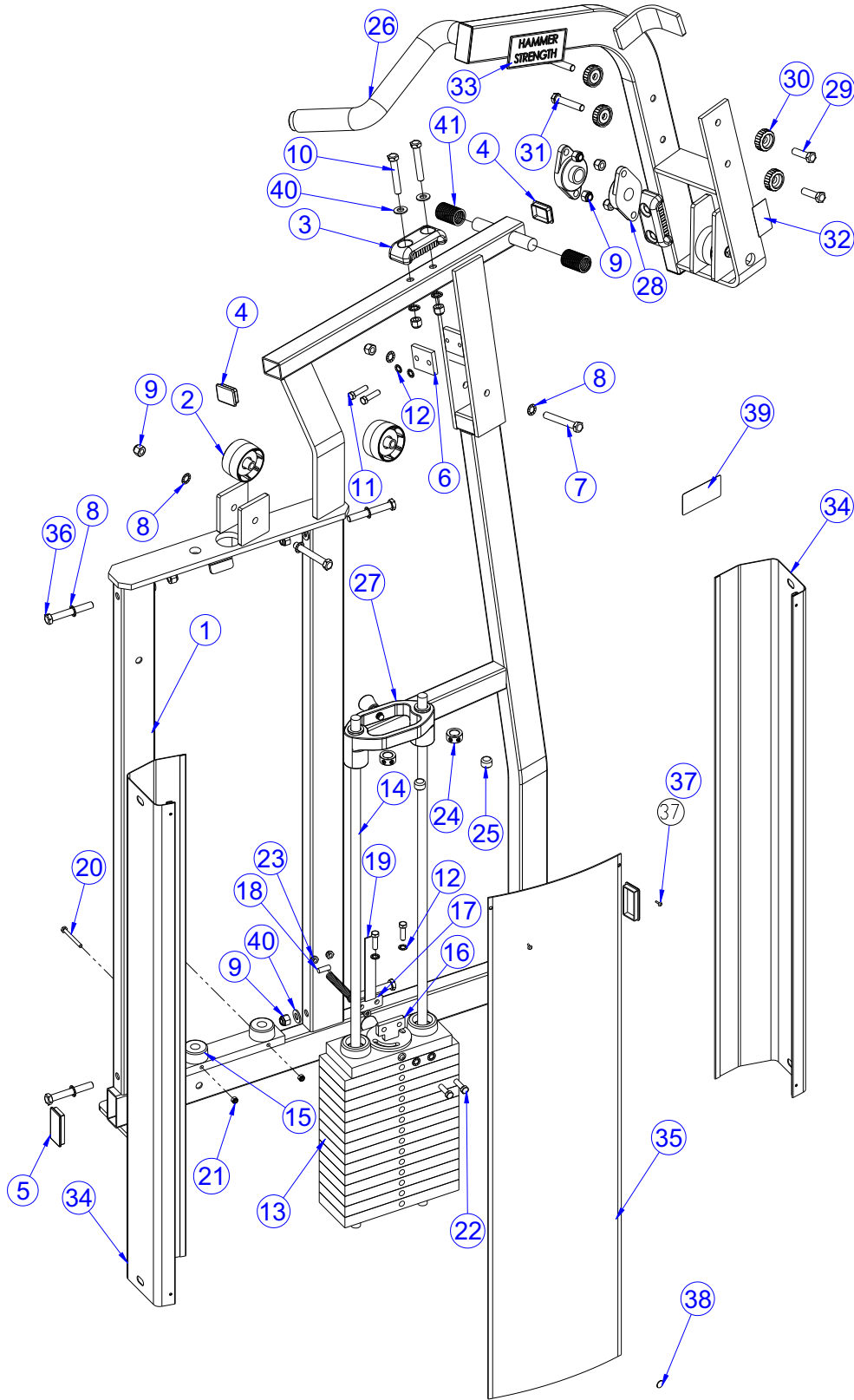
ITEM NO.	QTY.	PART NO.	DESCRIPTION
1	1	7459701	WLDMT, MTFP, SEAT FRAME
2	2	7359701	SEATRACK FRONT
3	2	3102801	NUT, NYLOCK 1/2-13 ST ZN
4	2	3239311	1/2-13 X 2.75 UNS HEX FHB G5 ZN
5	1	7463701	WLDMT, MTS, THIGH HOLD DOWN
6	3	7352201	CAP, END 1-1/2 X 2
7	1	7359301	.75" SS ROUND SEAT PIN
8	2	3103301	SHAFT COLLAR, 3/4 I.D. ZINC
9	1	3235801	GRIP, SHADOW GRAY, 3.5"
10	1	7662901	CAP, GRIP
11	1	8416801	SEATRACK, SERRATED
12	1	7564401	SEATRACK, FLAT
13	1	3236801	NUT, M 10 HEX NYLOCK SS
14	1	3238312	M 10x1.5x75mm
15	1	3236211	SCREW, M 10 X1.5 70MM
16	1	7464301	ASSY, MTS, 83 SEAT
17	1	7422001	LABEL, SEAT INST
18	1	7422002	LABEL, SEAT ADJUST
19	1	7442601	SPRING, PRO2 ROLLER SEAT
20	2	3247701	M 4 X .7 HXS NO CUP ST BO
21	1	7570601	STOP, ROLLER SEAT
22	1	3235802	GRIP, SHADOW GRAY, 1.5"

MTSFP FRONT PULL DOWN 83° SEAT ASSEMBLY



ITEM NO.	QTY.	PART NO.	DESCRIPTION
1	1	7464401	WLDMT, MTS, 83 SEAT
2	1	7387595	WELDMNT, PS-ROLLER SEAT HANDLE
3	1	7442701	SPRNG, PRO2 HANDLE TORSION
4	3	7564201	ASSY, SEAT ROLLER
5	5	3236217	SCREW, M10 X1.5 100MM
6	5	3236801	NUT, M10 HEX NYLOCK SS
7	5	3236601	WASHER, 3/8 SAE SS
8	2	1002974-0001	CAP. END, 1-1/2 X 3, 11GA SGRY
9	1	3238502	CAP, 1/2 X 3

MTSFP FRONT PULL DOWN LEFT SIDE FRAME ASSEMBLY - 7464901

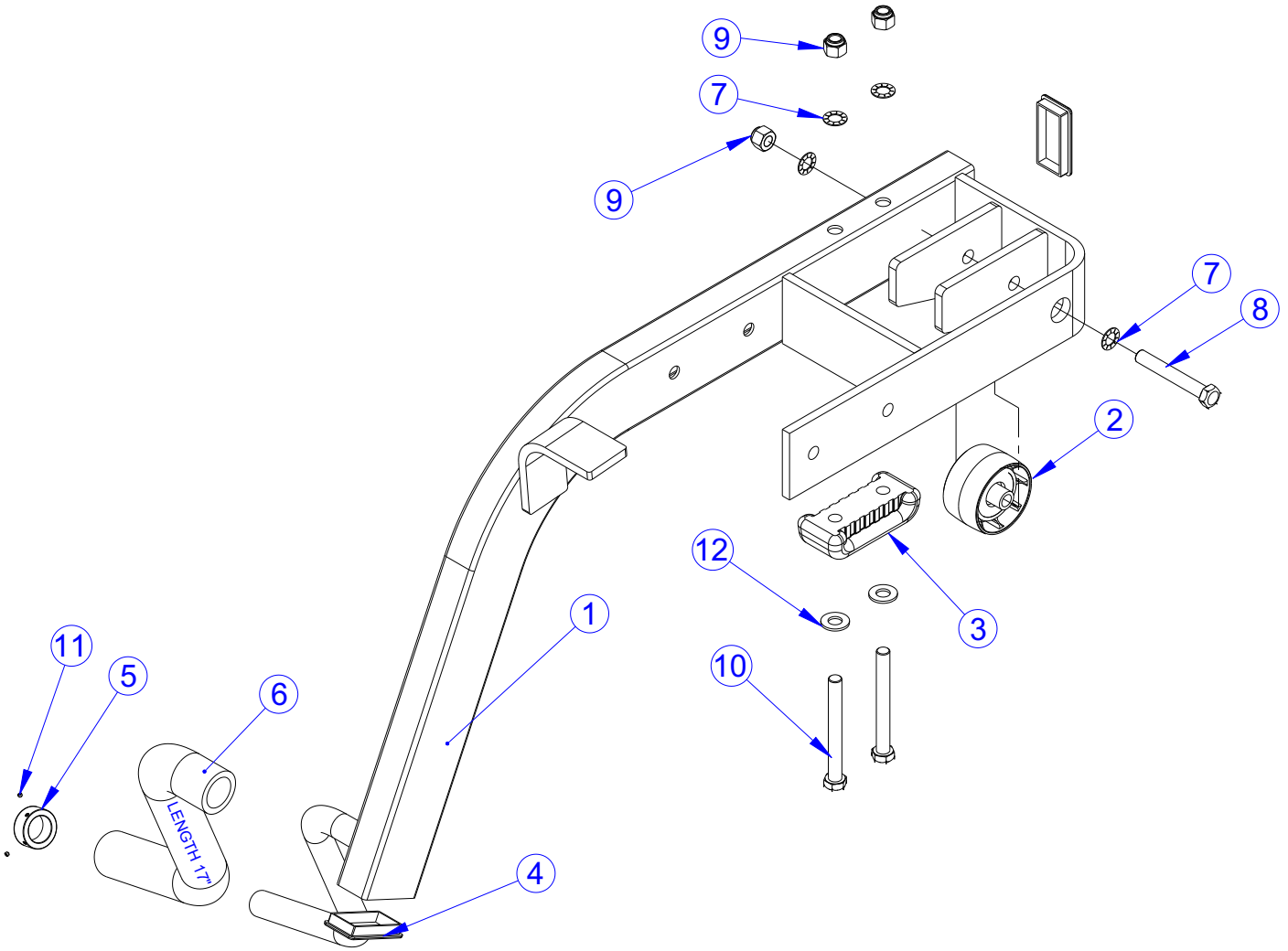


SEE PAGE 13 FOR LEGEND

MTSFP FRONT PULL DOWN LEFT SIDE FRAME LEGEND

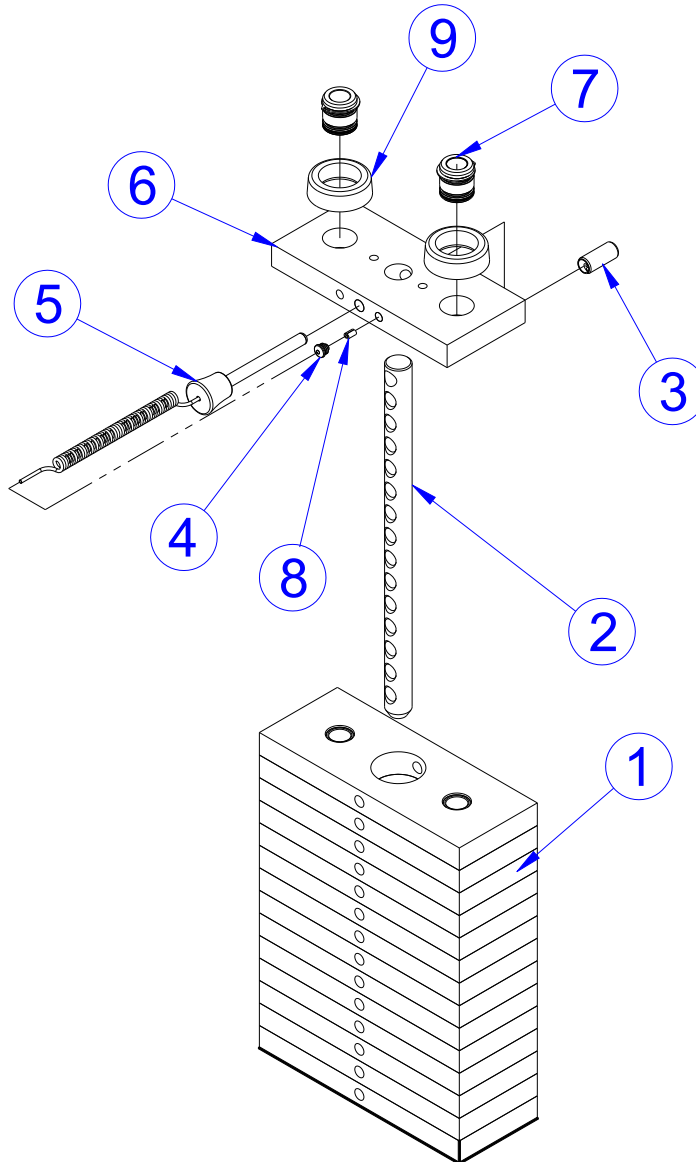
ITEM NO.	QTY.	PART NO.	DESCRIPTION
1	1	7462701	WLDMT, MTFP, LEFT FRAME
2	2	7594601	PULLEY, MTS, 3" BELT
3	1	7352001	BUMPER, 2-1/8 X 4-5/8
4	2	7352201	CAP, END 1-1/2 X 2
5	2	1002974-0001	CAP. END, 1-1/2 X 3, 11GA SGRY
6	1	7465095	PLATE, MTS, BELT ATTACH
7	2	3239314	1/2-13 X 3.50 UNS HEX FHB G5 ZN
8	10	3239505	WSH, .500 IN-D ST ZN
9	12	3102801	NUT, NYLOCK 1/2-13 ST ZN
10	2	3239312	1/2-13 X 3.00 UNS HEX FHB G5 ZN
11	2	3223302	3/8-16 X 1.25 HEX HEAD BOLT
12	6	3239503	WSH, .375 IN-D ST ZN
13	1	7464701	ASSY, MTS, 150 LB STACK
14	2	7328601	GUIDE ROD, .75 OD SOLID 48.38
15	2	7352101	CUSHION, WEIGHT STACK
16	1	7436595	WLDMT, MTS, BELT ATTACH LH
17	1	7435295	PLATE, MTS, BELT CLAMP
18	1	7435101	SHAFT, 3/8" DIA SS, BELT WRAP
19	1	7435701	BELT, SPOOLED, W 15/16, T.09
20	2	3223809	1/4-20 UNS HEX FHB G5 ZN
21	2	3102806	NUT, NYLOCK 1/4-20 ZN
22	4	3223302	3/8-16 X 1.25 HEX HEAD BOLT
23	2	3102807	NUT, NYLOCK 3/8-16 LOW HT
24	2	3103301	SHAFT COLLAR, 3/4 I.D. ZINC
25	2	3242701	CAP, END, .75 X .50. RD, BLACK
26	1	7471401	ASSY, MTFP, L MOVE ARM
27	1	8046901	ASSY, MTS, INCREMENT WEIGHT
28	2	3239901	BEARING, 2 HOLE FLANGE, 1" ID
29	2	3239307	1/2-13 X 1.75 UNS HEX FHB G5 ZN
30	4	7434001	WASHER, MTS, HAMMER HEAD
31	2	3239311	1/2-13 X 2.75 UNS HEX FHB G5 ZN
32	1	7422003	LABEL, MOVING PARTS
33	1	M051-00289-A000	HAMMER STRENGTH NAME PLATE
34	2	7465102	SHROUD, MTS, SIDE 47.75" SGRY
35	1	7435602	PANEL, MTS, PLASTIC 47.75"
36	4	3239315	1/2-13 X 3.75 UNS HEX FHB G5 ZN
37	2	0017-00101-1587	SHIELD RIVET
38	2	7564101	LABEL, MTS, .625 DIA HOLE COVER
39	1	M051-00297-A000	INCREMENT WT. DECAL (RIGHT)
40	6	3102507	WASHER, TYPE A PLAIN
41	2	6912804	SLEEVE, ACCRDN 1.0 ID X 2

MTSFP FRONT PULL DOWN LEFT WORK ARM ASSEMBLY



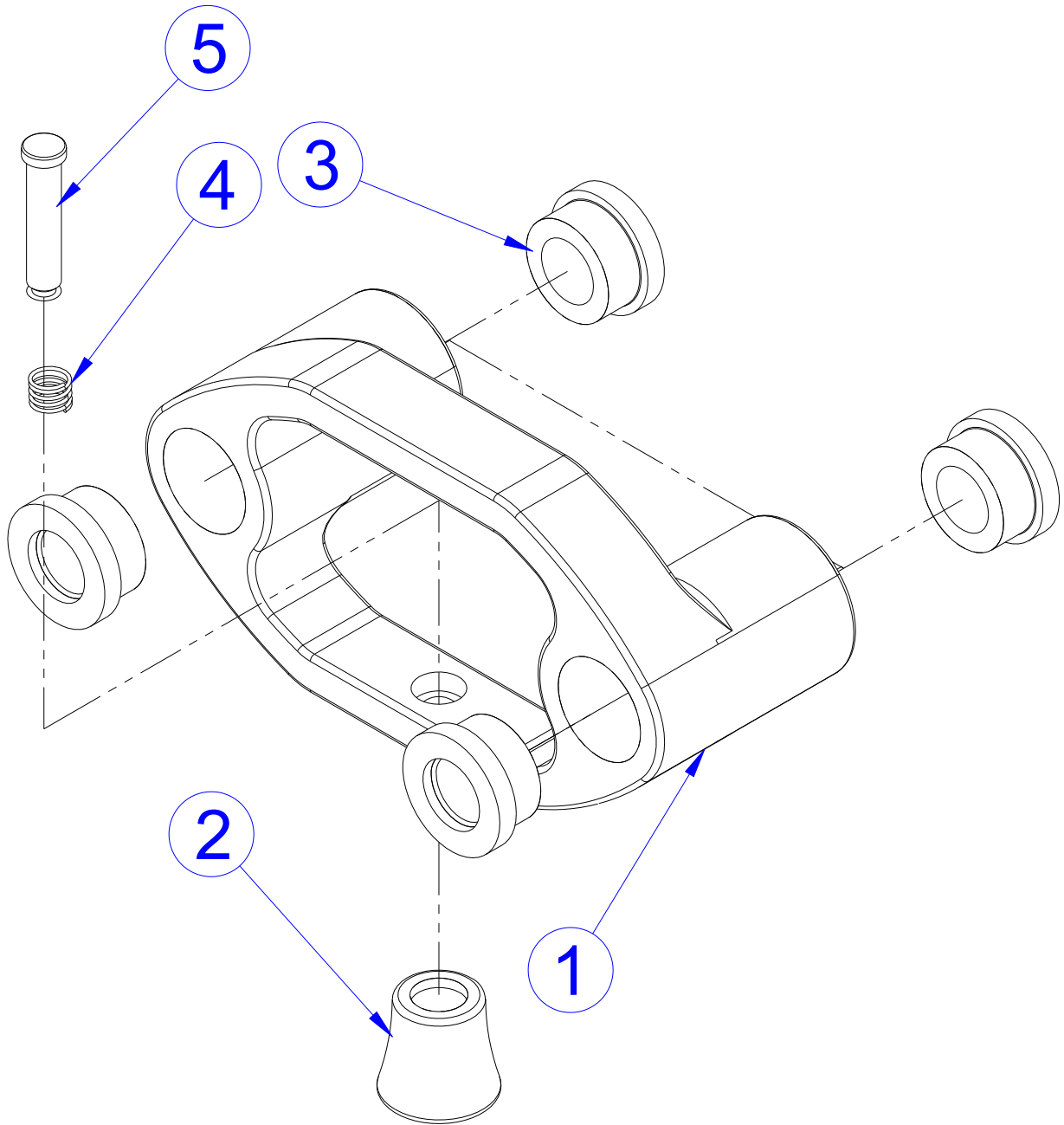
ITEM NO.	QTY.	PART NO.	DESCRIPTION
1	1	7461101	WLDMT, MTFP, L MOVEMENT ARM
2	1	7594601	PULLEY, MTS, 3" BELT
3	1	7352001	BUMPER, 2-1/8 X 4-5/8
4	2	7477401	CAP. END, 1-1/2 X 3, 11GA SGRY
5	1	7662902	CAP, GRIP 1.50 OD
6	1	3235801	GRIP, SHADOW GRAY, 18.25"
7	4	3239505	WSH, .500 IN-D ST ZN
8	1	3239314	1/2-13 X 3.50 UNS HEX FHB G5 ZN
9	3	3102801	NUT, NYLOCK 1/2-13 ST ZN
10	2	3239318	1/2-13 X 4.50 UNS HEX FHB G5 ZN
11	2	3247701	M4 X .7 HXS NO CUP ST BO
12	2	3102507	WASHER, TYPE A PLAIN

MTSFP FRONT PULL DOWN 150 LBS. WEIGHT STACK ASSEMBLY



ITEM NO.	QTY.	PART NO.	DESCRIPTION
1	14	7353701	ASSY, 10 LB PLATE
2	1	7464801	BAYONET, MTS, 15 HOLE
3	1	3236001	BUSHING, SPRING PIN
4	1	7356501	PLUG, LANYARD ATTACHMENT
5	1	7353001	ASSY, SELECTOR PIN
6	1	7434401	HEAD PLATE, MTS
7	2	7338001	BUSHING, HEADPLATE
8	1	7523601	CRIMP, CABLE
9	2	7767601	BUMPER, PS INCREMENT WT

MTSFP FRONT PULL DOWN INCREMENT WEIGHT ASSEMBLY - 7459901



ITEM NO.	QTY.	PART NO.	DESCRIPTION
1	1	7459801	BLOCK, MTS, INCREMENT WEIGHT
2	1	7351401	KNOB, TULIP STYLE
3	4	7560001	BUSHING, MTS, INC WEIGHT
4	1	7447001	SPRING, COMPRESSION
5	1	7446901	PIN, RETAINING

MTSFP FRONT PULL DOWN IMAGE

